

# 1 Earth points

## 1.1 Overview of earth points in engine compartment

1 - Earth point 2, on right in engine compartment -656-

❑ Fitting location ⇒ [page 3](#)

2 - Earth point, on right in plenum chamber -609-

❑ Fitting location ⇒ [page 4](#)

3 - Earth point, on left in plenum chamber -607-

❑ Fitting location ⇒ [page 4](#)

4 - Earth strap, battery - body -1-

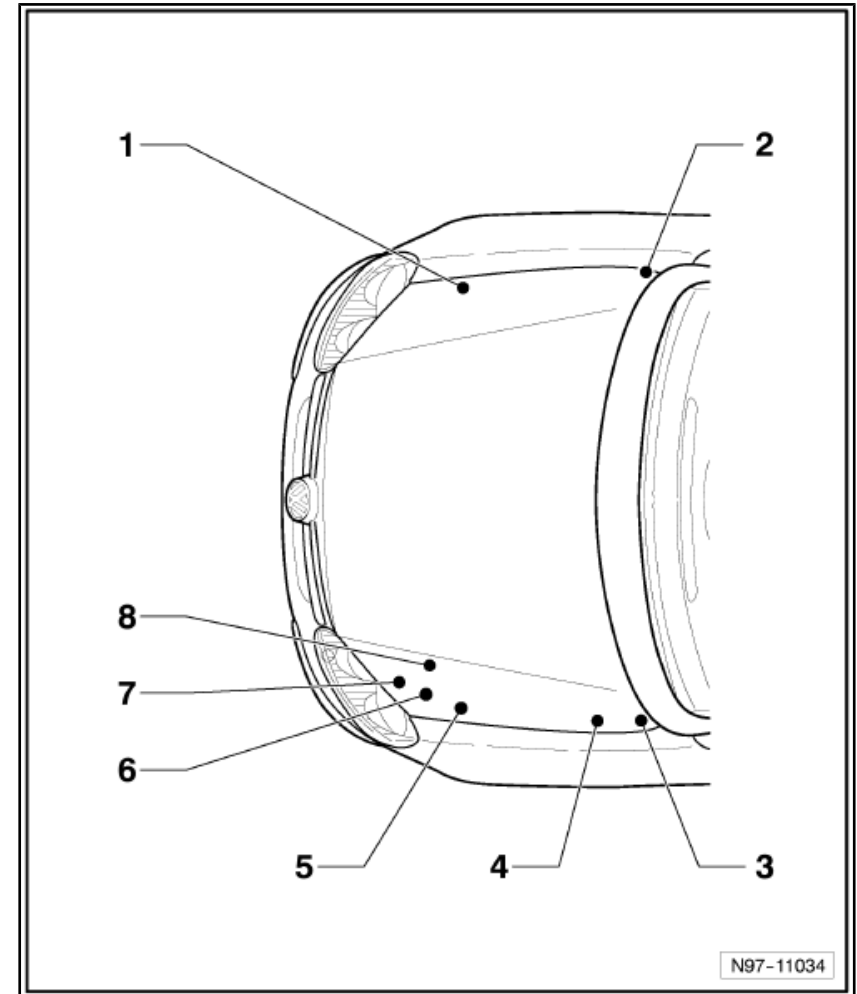
❑ Fitting location ⇒ [page 3](#)

5 - Earth point, on left in engine compartment -640-

❑ Fitting location ⇒ [page 5](#)

6 - Earth point, on left headlight -655-

❑ Fitting location ⇒ [page 5](#)

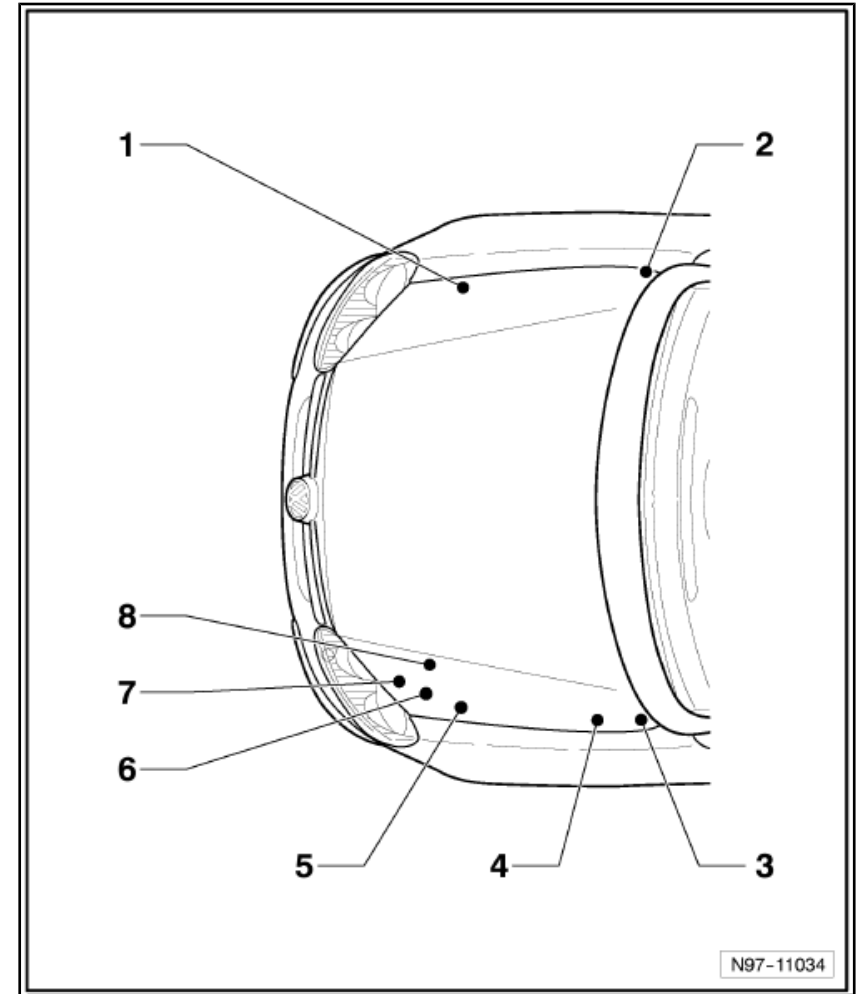


7 - Earth point for electronically controlled fan -642-

- Fitting location ⇒ [page 5](#)

8 - Earth point, engine and gearbox earth -652-

- Fitting location ⇒ [page 5](#)



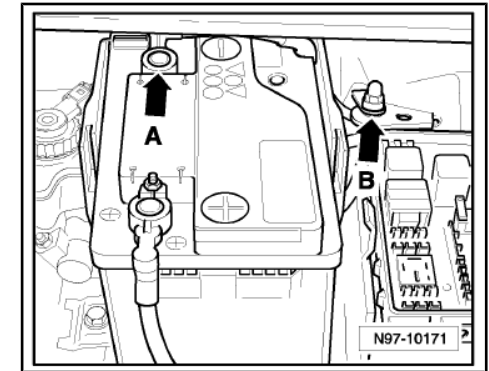
Battery negative pole -arrow A-

1 - Earth strap, battery - body -arrow B-

- Torque setting: M6 9+/-1 Nm

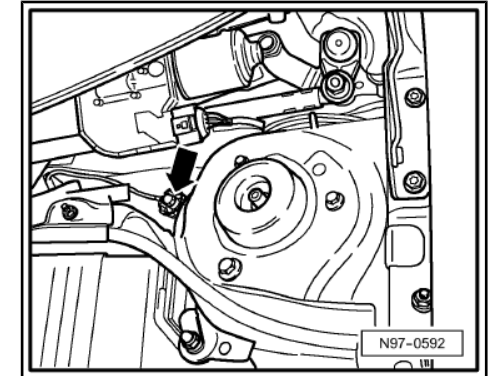
656 - Earth point, on right headlight -arrow-

- Torque setting: M6 9+/-1 Nm



607 - Earth point, on left in plenum chamber -arrow-

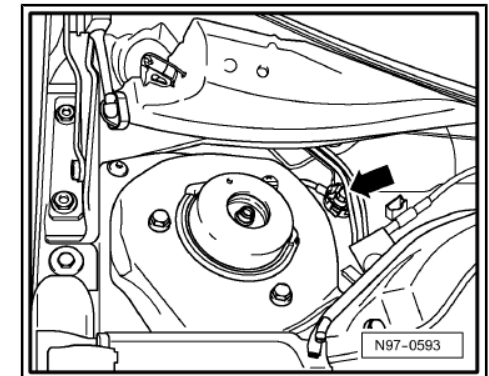
- Torque setting: M6 9+/-1 Nm



609 - Earth point, on right in plenum chamber -arrow-

- Torque setting: M6 9+/-1 Nm

◆ Discontinued from May 2006

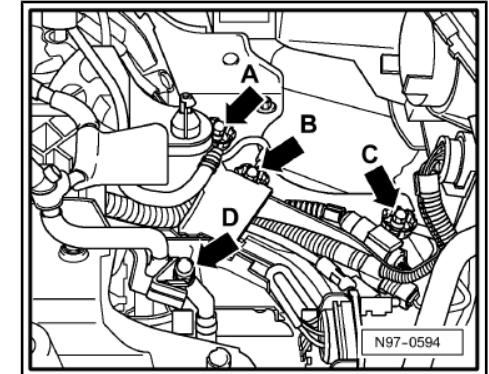


640 - Earth point, on left in engine compartment -arrow A-

- Torque setting: M6 9+/-1 Nm

642 - Earth point, electronically controlled fan -arrow C-

- Torque setting: M6 9+/-1 Nm



652 - Earth point, engine and gearbox earth -arrow D-

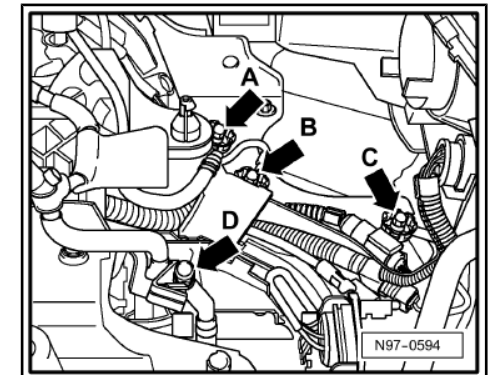
- Torque setting: M8 20+/-3 Nm

- ◆ Occupied from May 2006
- ◆ Additionally with earth point for electromechanical power steering

655 - Earth point, on left headlight -arrow B-

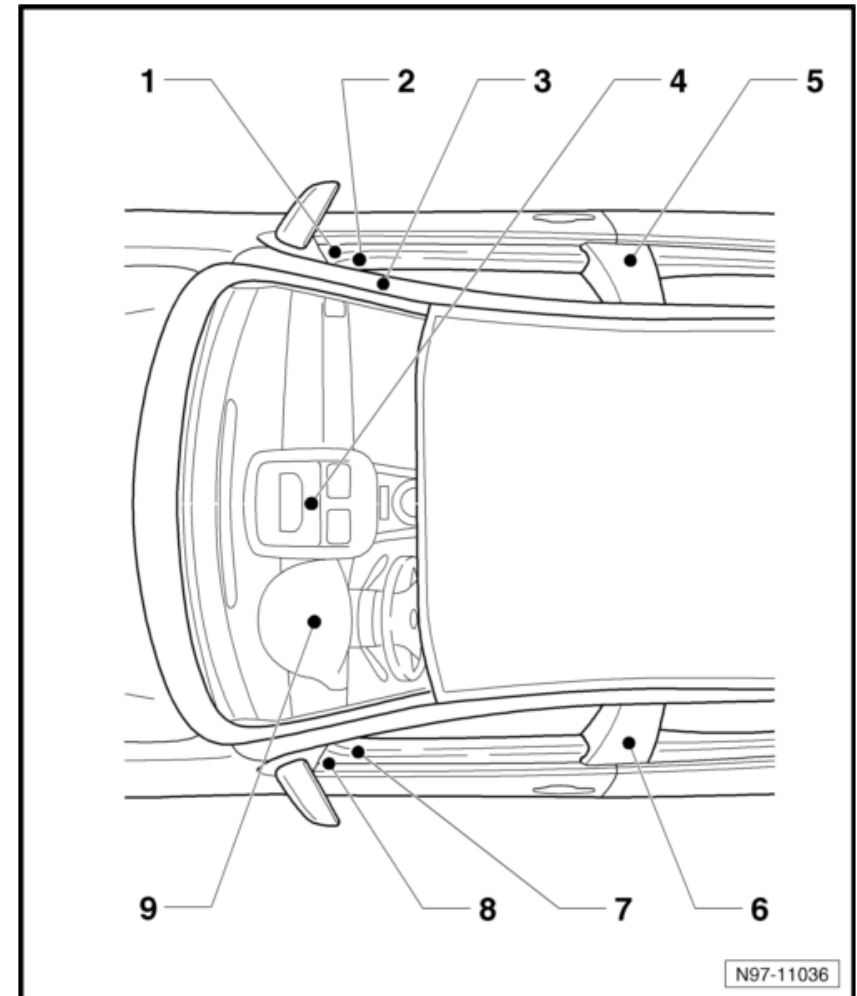
- Torque setting: M6 9+/-1 Nm

- ◆ Discontinued from May 2006



## 1.2 Overview of earth points in vehicle interior

- 1 - Earth point, lower part of right A-pillar -43-  
 Fitting location ⇒ [page 8](#)
- 2 - Earth point, in front right footwell -47-  
 Fitting location ⇒ [page 8](#)
- 3 - Earth point, on right A-pillar -638-  
 Fitting location ⇒ [page 8](#)
- 4 - Earth point, centre behind dash panel -45-  
 Fitting location ⇒ [page 9](#)
- 5 - Earth point, lower part of right B-pillar -78-  
 Fitting location ⇒ [page 10](#)
- 6 - Earth point, lower part of left B-pillar -77-  
 Fitting location ⇒ [page 10](#)



7 - Earth point, in front left footwell -602-

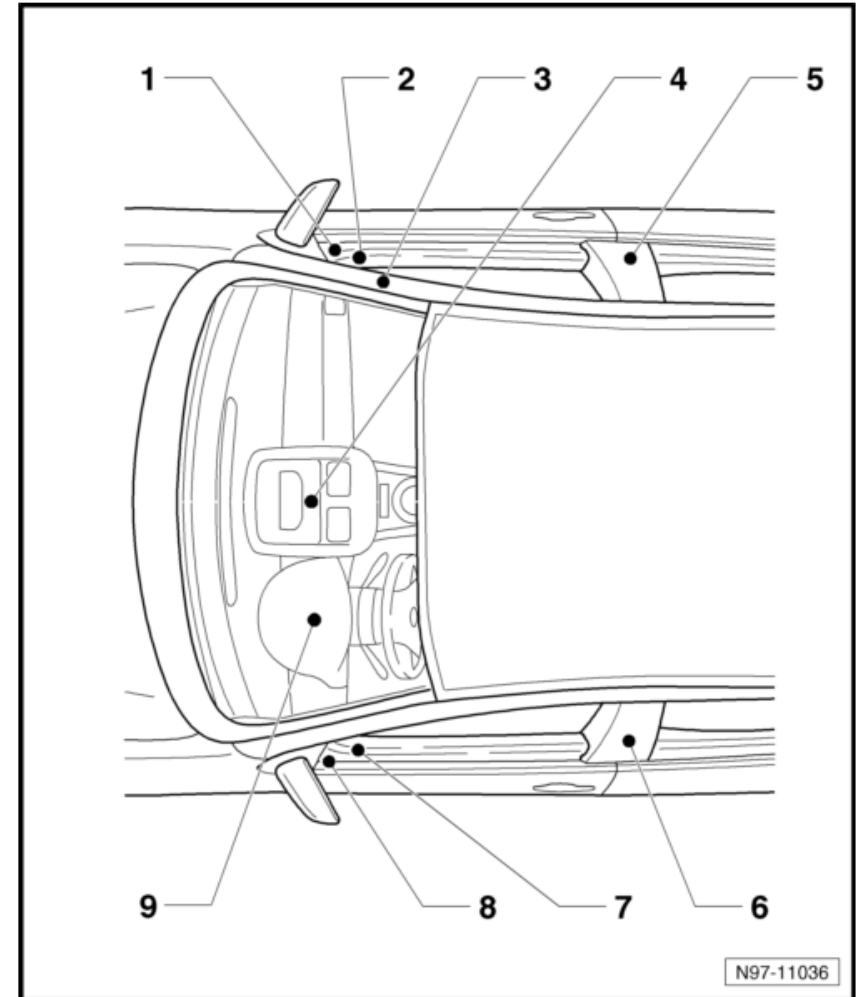
Fitting location ⇒ [page 8](#)

8 - Earth point, lower part of left A-pillar -44-

Fitting location ⇒ [page 8](#)

9 - Earth point, on top end of steering column -605-

Fitting location ⇒ [page 9](#)



638 - Earth point, right A-pillar -arrow A-

- Torque setting: M6 9+/-1 Nm

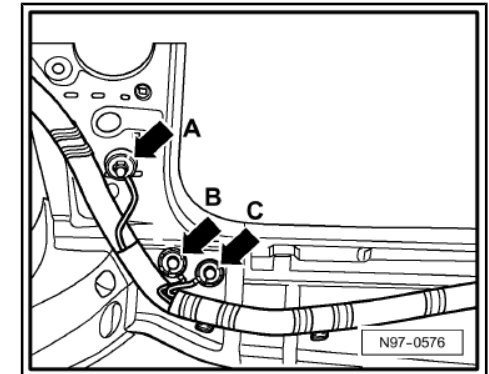
47 - Earth point, in front right footwell -arrow B-

- Torque setting: M6 9+/-1 Nm

◆ Discontinued from May 2006

43 - Earth point, lower part of right A-pillar -arrow C-

- Torque setting: M6 9+/-1 Nm

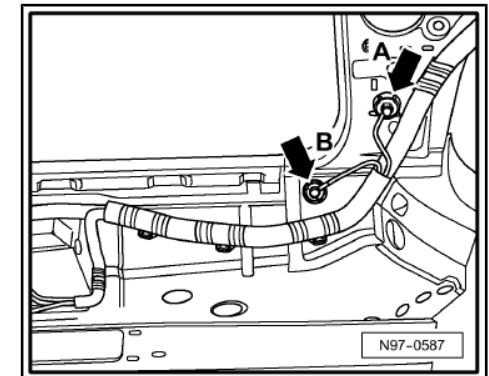


602 - Earth point, in front left footwell -arrow A-

- Torque setting: M6 9+/-1 Nm

44 - Earth point, lower part of left A-pillar -arrow B-

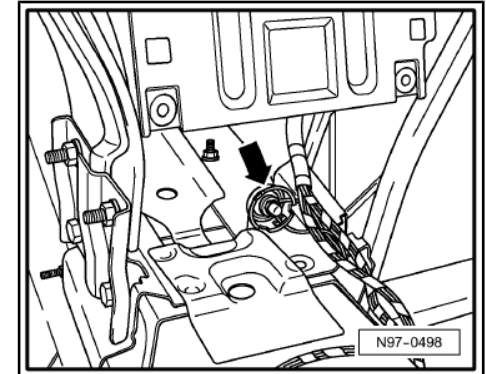
- Torque setting: M6 9+/-1 Nm





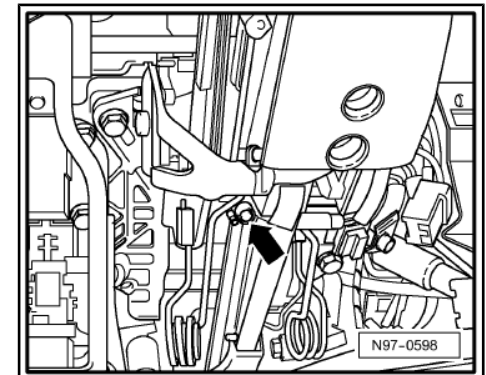
45 - Earth point, centre behind dash panel -arrow-

- Torque setting: M6 9+/-1 Nm



605 - Earth point, on top end of steering column -arrow-

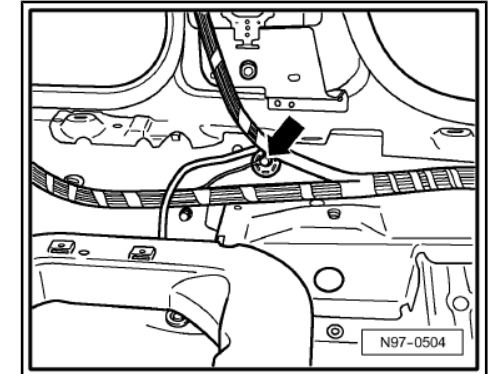
- Torque setting: M6 9+/-1 Nm



78 - Earth point, lower part of right B-pillar -arrow-

- Torque setting: M6 9+/-1 Nm

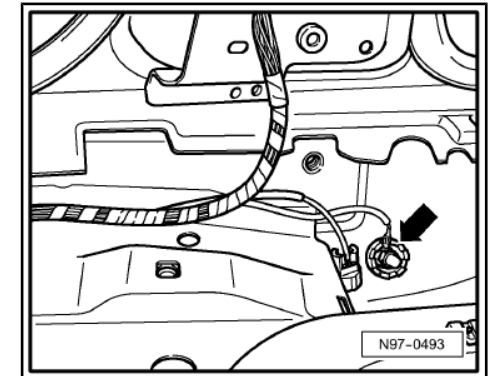
◆ Discontinued from May 2006



77 - Earth point, lower part of left B-pillar -arrow-

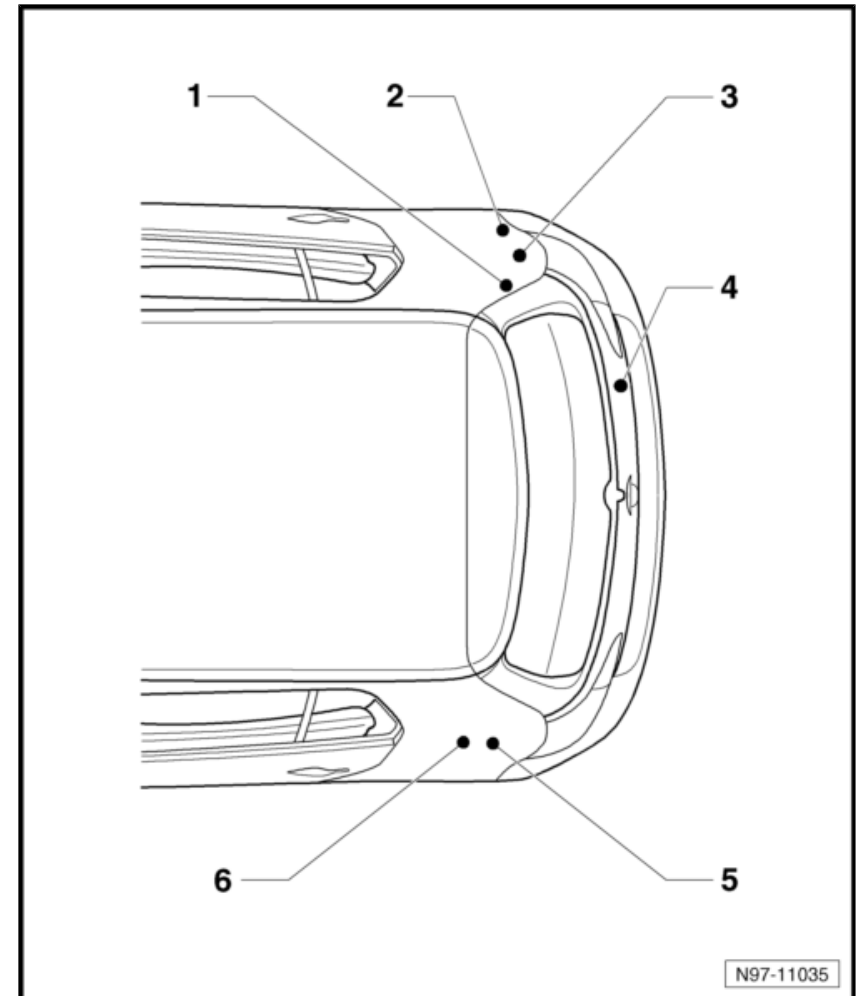
- Torque setting: M6 9+/-1 Nm

◆ Discontinued from May 2006



### 1.3 Overview of earth points in luggage compartment

- 1 - Earth point 1, in rear right side panel -681-  
 Fitting location ⇒ [page 12](#)
- 2 - Earth point 2, in rear right side panel -682-  
 Fitting location ⇒ [page 12](#)
- 3 - Earth point, in rear right side panel -663-  
 Fitting location ⇒ [page 12](#)
- 4 - Earth point, on right in rear lid -53-  
 Fitting location ⇒ [page 13](#)
- 5 - Earth point 2, in rear left side panel -679-  
 Fitting location ⇒ [page 12](#)
- 6 - Earth point, in rear left side panel -662-  
 Fitting location ⇒ [page 12](#)



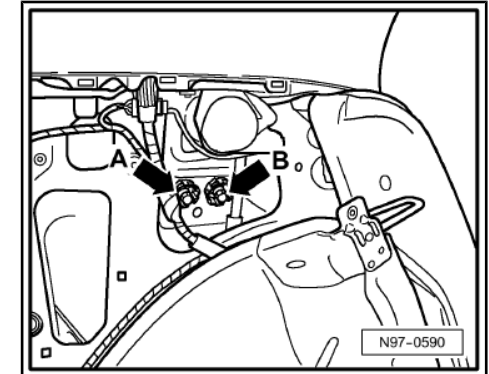
662 - Earth point, on rear left side panel -arrow A-

- Torque setting: M6 9+/-1 Nm

679 - Earth point 2, in rear left side panel -arrow B-

- Torque setting: M6 9+/-1 Nm

◆ Discontinued from May 2006



681 - Earth point 1, in rear right side panel -arrow A-

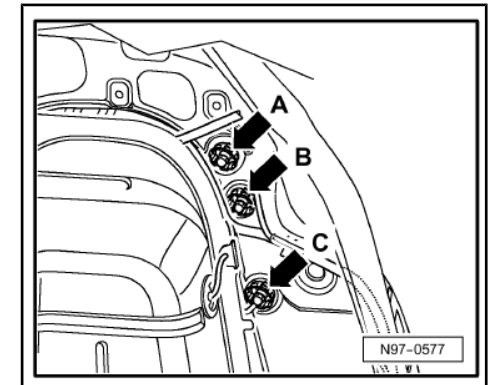
- Torque setting: M6 9+/-1 Nm

682 - Earth point 2, in rear right side panel -arrow B-

- Torque setting: M6 9+/-1 Nm

663 - Earth point, in rear right side panel -arrow C-

- Torque setting: M6 9+/-1 Nm



53 - Earth point, on right in rear lid -arrow-

- Torque setting: M6 9+/-1 Nm

